

# **panthera**

## *Instructions for use S2, S2 short and U2*



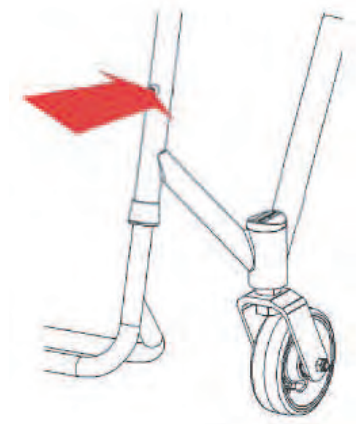
CTag[ XeT~ F%



CTag[ XeT~ H%

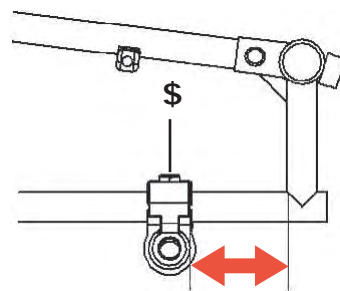
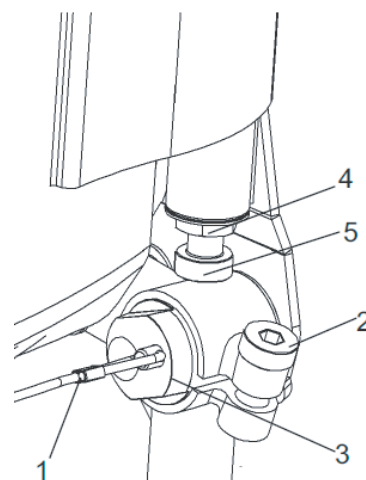
# **panthera**

## **Instructions for use** **S2, S2 short and U2**



# **panthera**

## ***Instructions for use S2, S2 short and U2***



# ***panthera***

***Instructions for use  
S2, S2 short and U2***





**panthera**

*Instructions for use  
S2, S2 short and U2*

